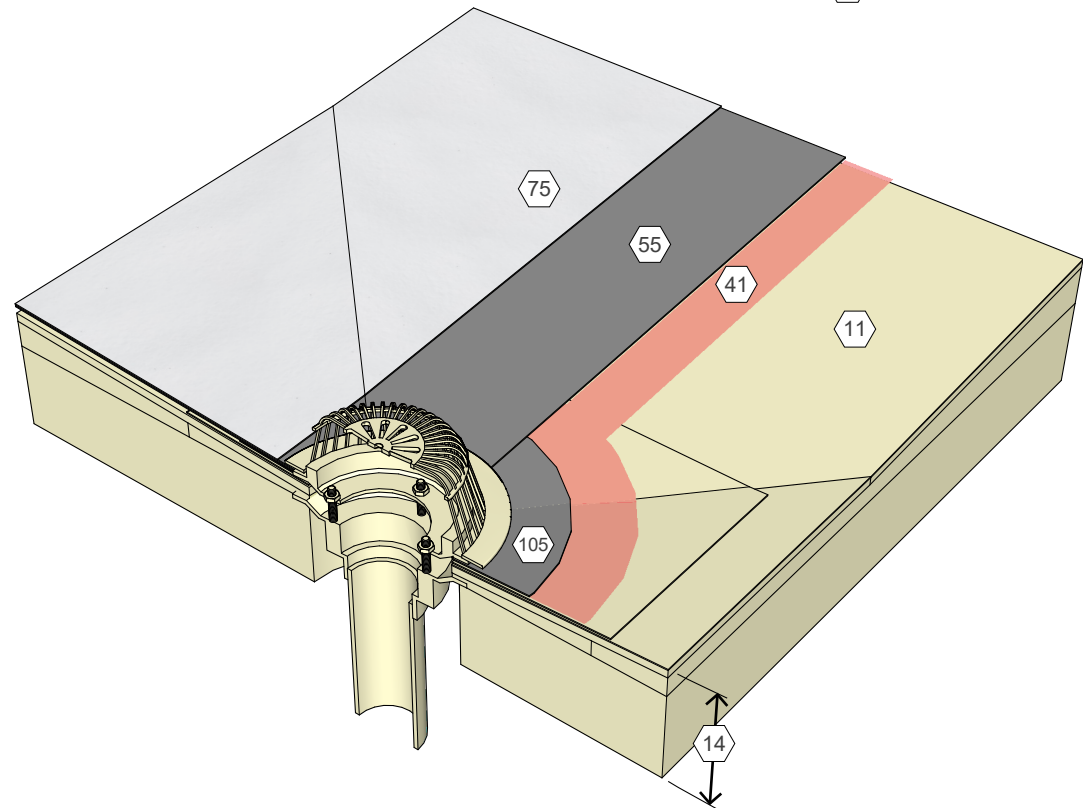
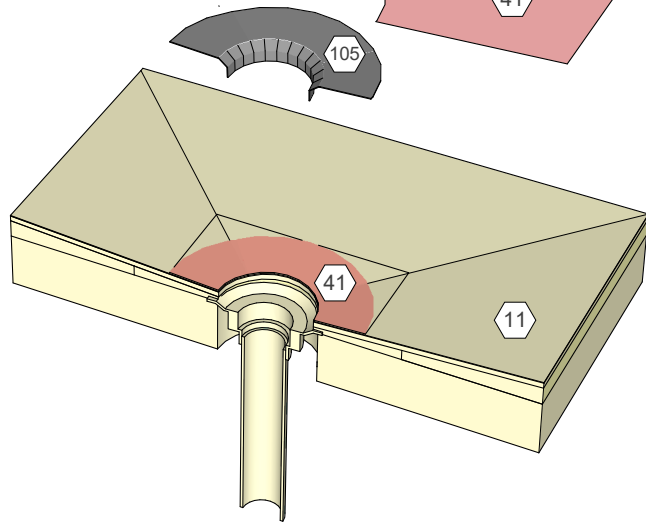
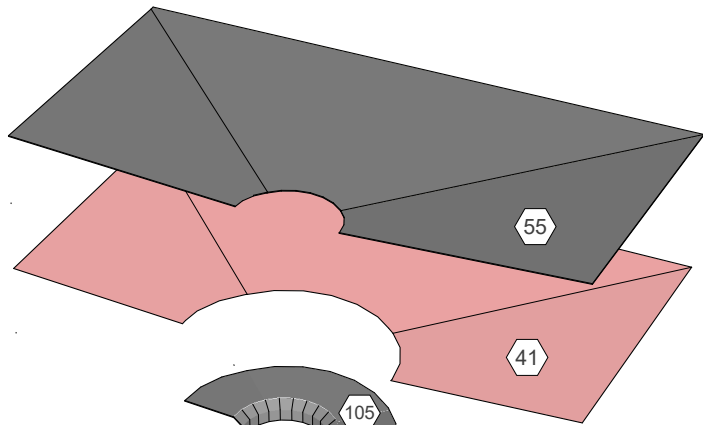
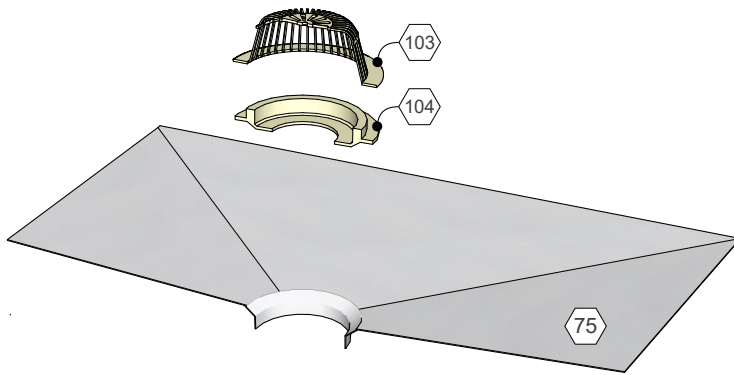


KEY NOTES

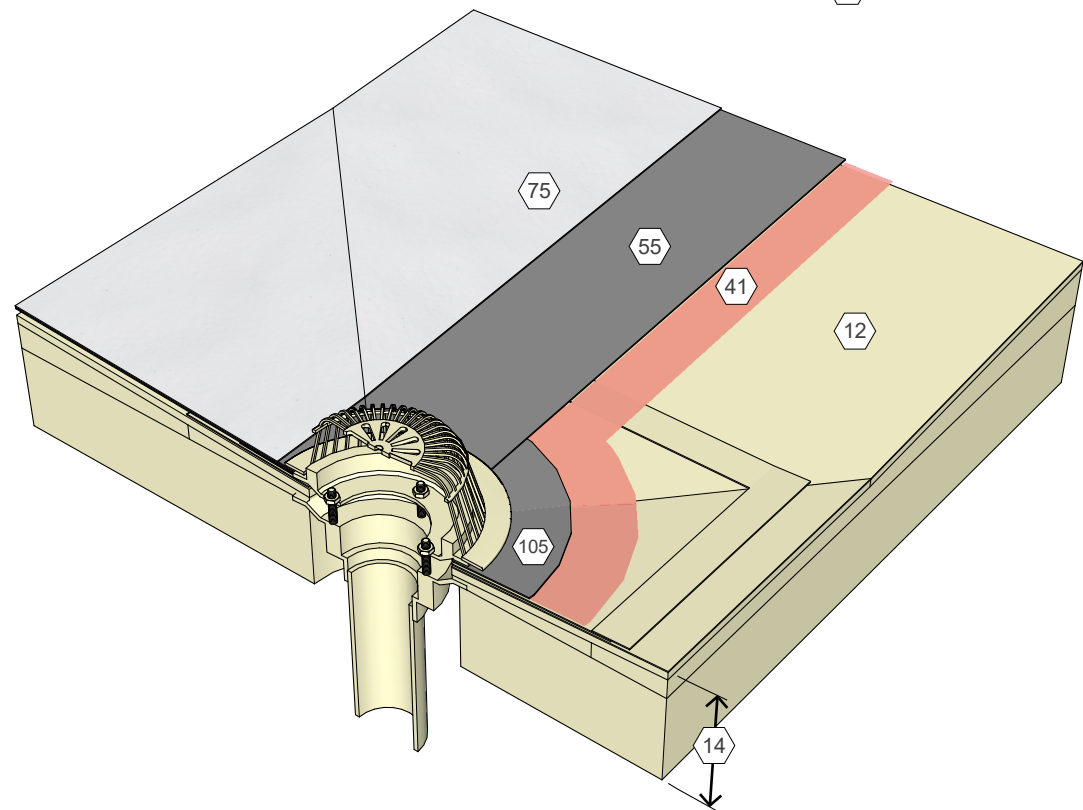
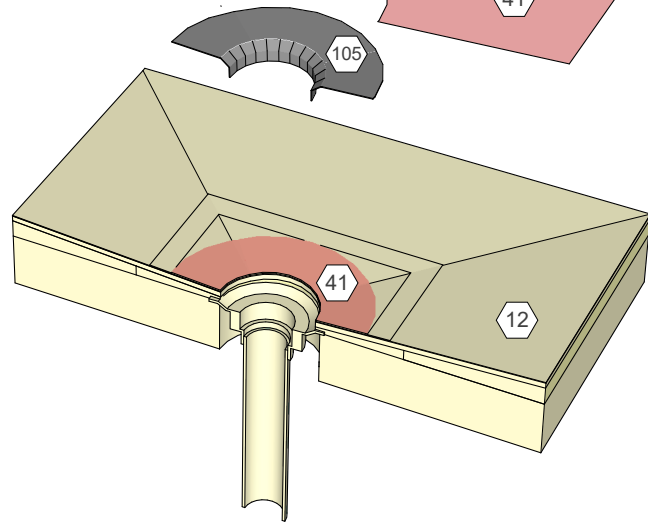
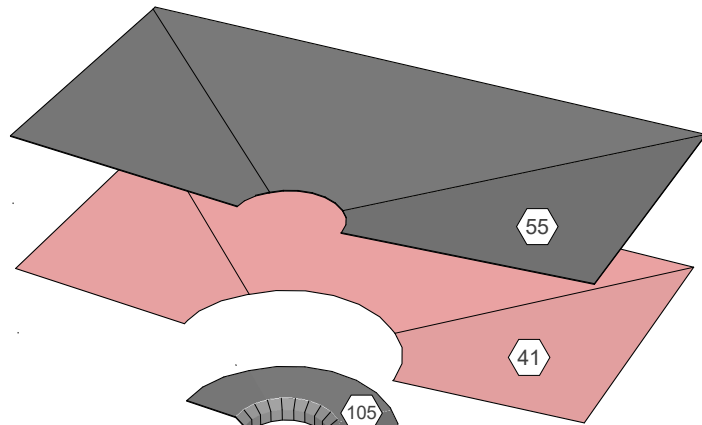
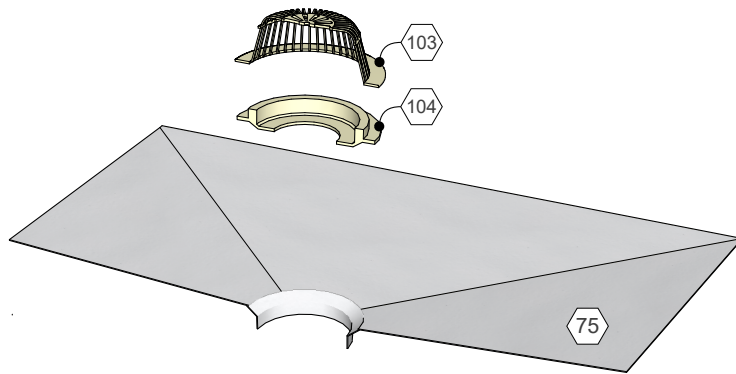
- 11 Existing Single-Ply Membrane
- 14 Existing Structural Deck and Insulation Assembly
- 41 Approved Primer
- 55 Geogard Base Coat
- 62 Permafab
- 75 Geogard Finish Coat
- 103 Metal Drain Strainer
- 104 Clamping Ring
- 105 Geogard Target Patch



Geogard® Restoration Detail, Single-Ply, Roof Drain
Detail 17221

KEY NOTES

- 12 Existing MB or Smooth BUR
- 14 Existing Structural Deck and Insulation Assembly
- 41 Approved Primer
- 55 Geogard Base Coat
- 62 Permafab
- 75 Geogard Finish Coat
- 103 Metal Drain Strainer
- 104 Clamping Ring
- 105 Geogard Target Patch



Geogard® Restoration Detail, MB or Smooth BUR, Roof Drain
Detail 17222